

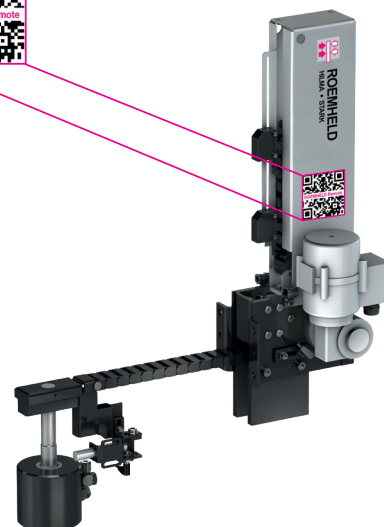


ROEMHELD Care is a comprehensive maintenance package that ensures the performance of your equipment and actively protects your assets.

Our maintenance contracts offer different maintenance levels for individual customer requirements.

Advantages

- Execution of manufacturer-specific and, if necessary, statutory tests in compliance with standards
- No hidden costs because working time, travel time and travel expenses included
- The fixed price makes maintenance and operating costs predictable
- A ROEMHELD maintenance package ensures uncomplicated assistance and minimises unplanned downtimes



ROEMHELD Check-up

- Maintenance of the system, including cleaning, visual and application control
- Clamping force control including protocol and recording of the measured values in the ROEMHELD N-Database
- Operator training including know-how exchange

Phone Support

- Extended on-call time of our customer service
- On weekdays from 08:00 to 18:00
- On Saturdays from 08:00 to 12:00

ROEMHELD Seminar

- Free participation in our annual seminars on hydraulics and clamping technology in theory and practice

Availability Guarantee

- Free rapid-clamping system available within 24h

ROEMHELD Service Portal

- Access to our service portal, which allows our experts to connect to you remotely, if necessary

ROEMHELD Spare Parts Guarantee

- Extended spare parts guarantee for ROEMHELD components

Full Service

- Repairs, without exception carried out by ROEMHELD technicians, are included

	Top	Advanced	Basic
ROEMHELD Check-up	✓	✓	✓
Phone Support	✓	✓	✓
ROEMHELD Seminar	✓	✓	✓
Availability Guarantee	✓	✓	
ROEMHELD Service Portal	✓	✓	
ROEMHELD Spare Parts Guarantee	✓		
Full Service	✓		
	Price on request	Price on request	Price on request

Please contact us

E-mail: service@roemheld.de

Service hotline: +49 (0) 6405/89-400