



Request Checklist for Rivi Magnetics M-TECS Magnetic Clamping Systems

CUSTOMER DATA	Company / Customer _____	Town _____	Customer no. _____
	Person to contact _____	Department _____	
	Email _____	Phone _____	
from	Request recorded by (name / company) _____		Date _____

Machine new machine retrofitting drawing of machine plate available

Machine manufacturer _____ Machine type _____

Closing force [kN] _____ Opening force [kN] _____

Nozzle contact force [kN] _____ (when mould is open) Ejecting force _____

Temperature range [°C] _____ Machine operation mode horizontal vertical

Plate geometry rectangle cross another type (sketch)

A [mm] _____

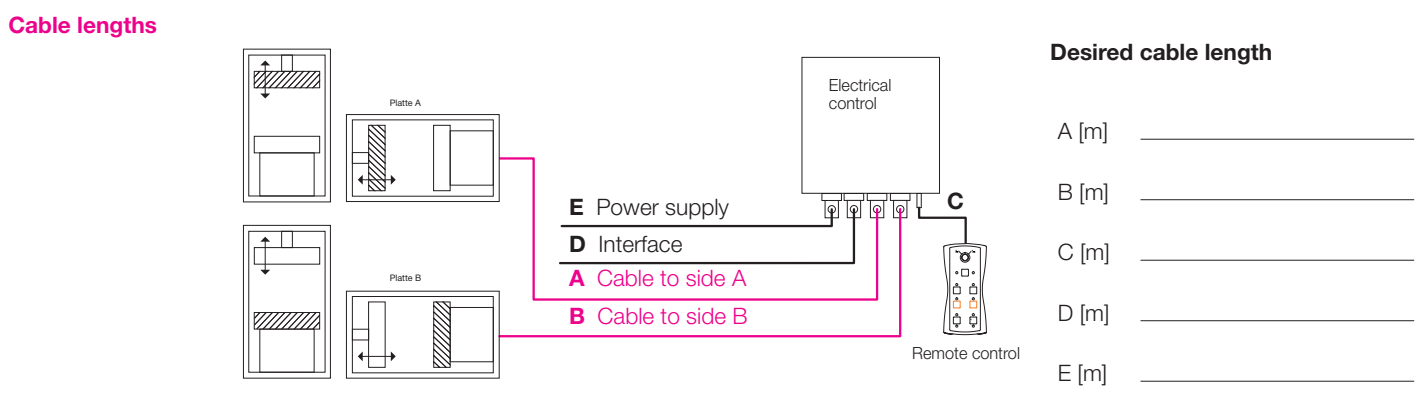
B [mm] _____

a [mm] _____

b [mm] _____

Mould/die dimensions Smallest mould/die [mm] _____ Weight [kg] _____

 Largest mould/die [mm] _____ Weight [kg] _____



Remarks _____
